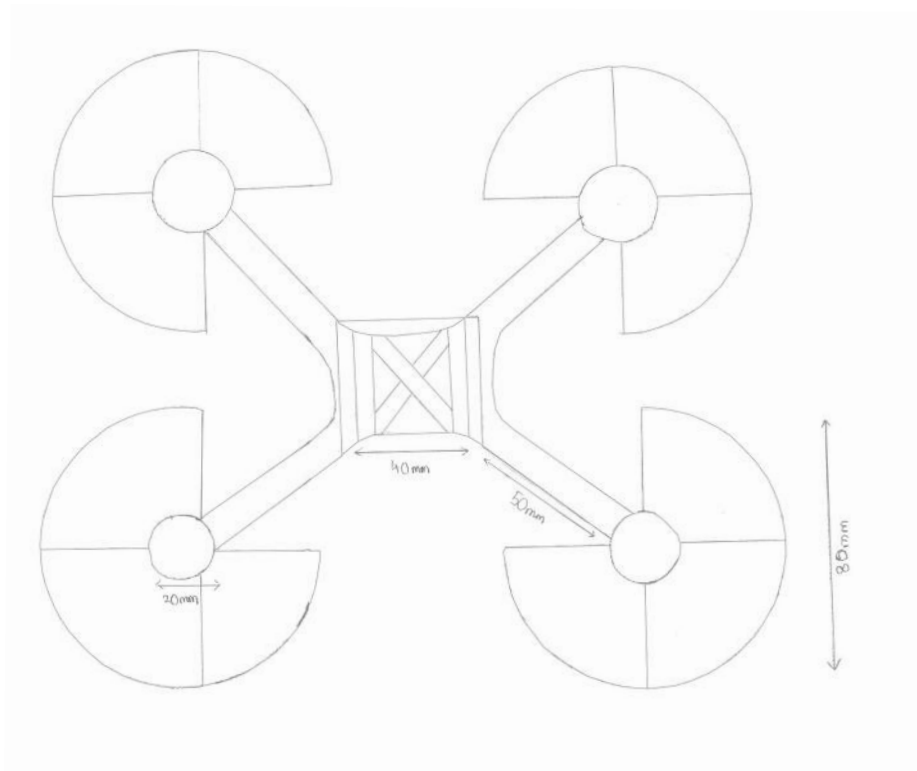




IF YOU WERE an **ENGINEER** WHAT WOULD YOU DO?[®]

Lancashire Leaders Award 2019
Winner, Year 7

Drones in Natural Disaster



Name:	Darwin Kitchen
Gender:	Male
School name:	Ulverston Victoria High School
Year group:	Year 7
Which engineer inspired you?	Tom Cox
From which company?	Seimans

The '**Drones In Natural Disasters**' will contain both thermal and long ranged cameras to aide people in the event of destruction from natural disasters. It locates people who are trapped and alerts the relevant emergency services.